

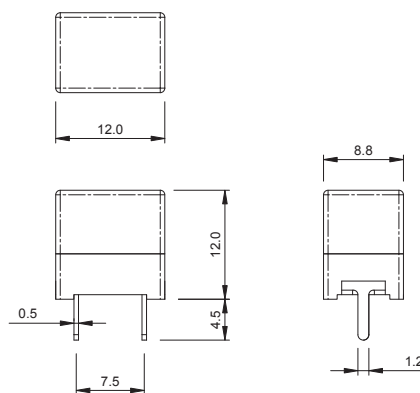
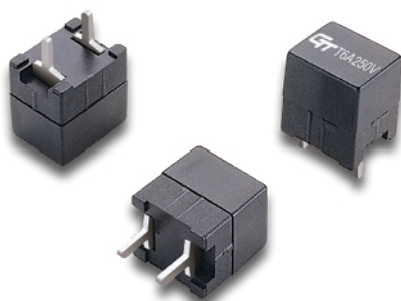


Part No. **1325 series**

P.C. Board Type



- Slow Blow (T), Surge Withstand
- Size: 12(L) x 9(W) x 12 (H) mm
- Voltage: 250V and Less
- Material: \* Insulating Body: Fiberglass Reinforced Plastic, UL94V0 Flame Resistant
- \* Element: Silver Alloy
- \* Pin: Copper With Tin Plated, 0.5mm Thickness
- Option: Gold or Silver Plated Available Upon Request*
- Direct Soldering To P.C. Board
- Shock Safe Casing
- High Vibration Resistant
- Application: TV, VCR, Monitor, Adapter, Communication Equipments, Protection and Safety For All Other Small Equipment
- Replace Conventional Cartridge Fuses
- Ampere Rating: 50mA~30A
- Standard: IEC 60127-4(UMF)
- Low Internal Resistant
- Designed And Patented By **GLORYTECH**



Scale: mm

## Specifications

### Opening Time / Pre-arcing Time:

In	1.0 In	1.25 In	2.0 In	10 In	
50mA-30A	Carry	Min. 60 min.	Max. 120 s	Min. 10 ms	Max. 100 ms

### Ordering Information:

Part Number	Ampere (A)	Voltage (V)	Voltage Drop Max. (mV)	Breaking Capacity (AC)	I <sup>2</sup> t Min. (A <sup>2</sup> s)
13250050440	50 mA	250 V	1000	500A 250V	0.013
13250063440	63 mA	250 V	800	500A 250V	0.021
13250080440	80 mA	250 V	650	500A 250V	0.032
13250100440	100 mA	250 V	500	500A 250V	0.05
13250125440	125 mA	250 V	450	500A 250V	0.78
13250160440	160 mA	250 V	400	500A 250V	0.128
13250200440	200 mA	250 V	300	500A 250V	0.2
13250250440	250 mA	250 V	220	500A 250V	0.312
13250315440	315 mA	250 V	210	500A 250V	0.422
13250400440	400 mA	250 V	200	500A 250V	0.96
13250500440	500 mA	250 V	190	500A 250V	1.4
13250630440	630 mA	250 V	180	500A 250V	2.6
13250800440	800 mA	250 V	160	500A 250V	2.9
13251100440	1 A	250 V	140	500A 250V	6.95
13251125440	1.25 A	250 V	130	500A 250V	10
13251160440	1.6 A	250 V	120	500A 250V	15
13251200440	2 A	250 V	100	500A 250V	20
13251250440	2.5 A	250 V	100	500A 250V	28
13251315440	3.15 A	250 V	100	500A 250V	39
13251400440	4 A	250 V	100	500A 250V	70
13251500440	5 A	250 V	100	500A 250V	130
13251630440	6.3 A	250 V	100	500A 250V	198
13251700440	7 A	250 V	90	500A 250V	245
13251800440	8 A	250 V	90	500A 250V	320
13252100440	10 A	250 V	90	500A 250V	500
13252120440	12 A	250 V	90	500A 250V	720
13252150440	15 A	250 V	90	500A 250V	1150
13252160440	16 A	250 V	85	500A 250V	1300
13252200440	20 A	250 V	85	500A 250V	2100
13252250440	25 A	250 V	80	500A 250V	3000
13252300440	30 A	250 V	80	500A 250V	4700