

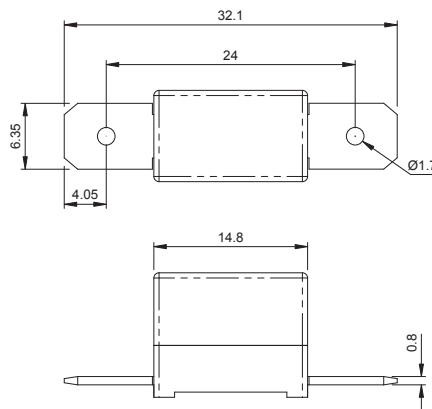


Part No. **1316** series

Horizontal Type



- Slow Blow (T), Surge Withstand
- Size: 15(L) x 9(W) x 12 (H) mm
- Voltage: 250V and Less
- Material: \* Insulating Body: Fiberglass Reinforced Plastic, UL94V0 Flame Resistant
- \* Element: Silver Alloy
- \* Terminals: 0.25" (6.35mm) Copper With Tin Plated, 0.8mm Thickness
- Option: Gold or Silver Plated Available Upon Request
- Direct Connect To Female Terminal, Terminal Version For Easy Replacement
- Shock Safe Casing
- High Vibration Resistant
- Application: TV, VCR, Monitor, Adapter, Communication Equipments, Protection and Safety For All Other Small Equipment
- Replace Conventional Cartridge Fuses
- Ampere Rating: 50mA~30A
- Standard: UL 248-14
- Low Internal Resistant
- Designed And Patented By **GLORYTECH**



Scale: mm

## Specifications

Opening Time / Pre-arcing Time:

In	1.0 In	1.35 In	2.0 In	
50mA-30A	Carry	Max. 1 Hr	Min. 3 sec	Max. 120 sec

## Ordering Information:

Part Number	Ampere (A)	Voltage (V)	Voltage Drop Max. (mV)	Breaking Capacity (AC)	Pt Min. (A <sup>2</sup> s)	STATUS
13160050440	50 mA	250 V	4000	500A 250V	0.011	Pending
13160060440	60 mA	250 V	3800	500A 250V	0.016	Pending
13160063440	63 mA	250 V	3600	500A 250V	0.018	Pending
13160080440	80 mA	250 V	2400	500A 250V	0.029	Pending
13160100440	100 mA	250 V	1200	500A 250V	0.05	Pending
13160125440	125 mA	250 V	1100	500A 250V	0.078	Pending
13160150440	150 mA	250 V	1050	500A 250V	0.12	Pending
13160160440	160 mA	250 V	900	500A 250V	0.155	Pending
13160200440	200 mA	250 V	700	500A 250V	0.24	Pending
13160250440	250 mA	250 V	600	500A 250V	0.29	Pending
13160300440	300 mA	250 V	550	500A 250V	0.5	Pending
13160315440	315 mA	250 V	500	500A 250V	0.6	Pending
13160350440	350 mA	250 V	455	500A 250V	0.74	Pending
13160400440	400 mA	250 V	400	500A 250V	1	Pending
13160500440	500 mA	250 V	345	500A 250V	1.6	Pending
13160600440	600 mA	250 V	285	500A 250V	2.16	Pending
13160630440	630 mA	250 V	270	500A 250V	2.4	Pending
13160700440	700 mA	250 V	260	500A 250V	2.95	Pending
13160750440	750 mA	250 V	255	500A 250V	3.37	Pending
13160800440	800 mA	250 V	245	500A 250V	4.8	Pending
13161100440	1 A	250 V	210	500A 250V	6.2	Pending
13161125440	1.25 A	250 V	190	500A 250V	11	Pending
13161150440	1.5 A	250 V	180	500A 250V	18	Pending
13161160440	1.6 A	250 V	170	500A 250V	21	Pending
13161200440	2 A	250 V	160	500A 250V	34	Pending
13161250440	2.5 A	250 V	150	500A 250V	55	Pending
13161300440	3 A	250 V	140	500A 250V	85	Pending
13161315440	3.15 A	250 V	135	500A 250V	95	Pending
13161350440	3.5 A	250 V	130	500A 250V	120	Pending
13161400440	4 A	250 V	125	500A 250V	192	Pending
13161500440	5 A	250 V	120	500A 250V	300	Pending
13161600440	6 A	250 V	115	500A 250V	440	Pending
13161630440	6.3 A	250 V	115	500A 250V	520	Pending
13161700440	7 A	250 V	105	500A 250V	640	Pending
13161750440	7.5 A	250 V	105	500A 250V	730	Pending
13161800440	8 A	250 V	100	500A 250V	960	Pending
13162100440	10 A	250 V	90	500A 250V	1500	Pending
13162120440	12 A	250 V	90	500A 250V	1700	Pending
13162150440	15 A	250 V	60	500A 250V	2700	Pending
13162160440	16 A	250 V	60	500A 250V	3100	Pending
13162200440	20 A	250 V	60	500A 250V	4800	Pending
13162250440	25 A	250 V	50	500A 250V	7500	Pending
13162300440	30 A	250 V	50	500A 250V	10800	Pending