

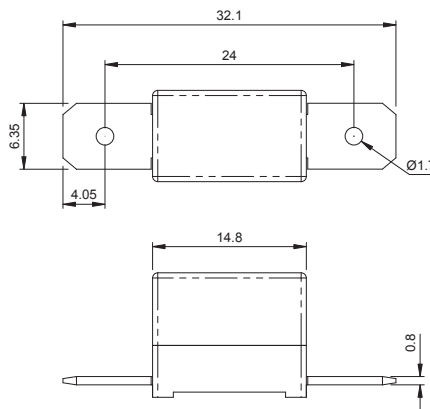


Part No. **1315** series

Horizontal Type



- Slow Blow (T), Surge Withstand
- Size: 15(L) x 9(W) x 12 (H) mm
- Voltage: 250V and Less
- Material: * Insulating Body: Fiberglass Reinforced Plastic, UL94V0 Flame Resistant
- * Element: Silver Alloy
- * Terminals: 0.25" (6.35mm) Copper With Tin Plated, 0.8mm Thickness
- Option: Gold or Silver Plated Available Upon Request
- Direct Connect To Female Terminal, Terminal Version For Easy Replacement
- Shock Safe Casing
- High Vibration Resistant
- Application: TV, VCR, Monitor, Adapter, Communication Equipments, Protection and Safety For All Other Small Equipment
- Replace Conventional Cartridge Fuses
- Ampere Rating: 50mA~30A
- Standard: IEC 60127-4(UMF)
- Low Internal Resistant
- Designed And Patented By **GLORYTECH**



Scale: mm

Specifications

Opening Time / Pre-arcing Time:

In	1.0 In	1.25 In	2.0 In	10 In	
50mA-30A	Carry	Min. 60 min.	Max. 120 s	Min. 10 ms	Max. 100 ms

Ordering Information:

Part Number	Ampere (A)	Voltage (V)	Voltage Drop Max. (mV)	Breaking Capacity (AC)	Pt Min. (A's)	MS	VDE	P-E	C	UL	US	PS	EP
13150050440	50 mA	250 V	1500	500A 250V	0.016								Pending
13150063440	63 mA	250 V	1300	500A 250V	0.026								Pending
13150080440	80 mA	250 V	1100	500A 250V	0.042								Pending
13150100440	100 mA	250 V	1000	500A 250V	0.065								Pending
13150125440	125 mA	250 V	900	500A 250V	0.102								Pending
13150160440	160 mA	250 V	800	500A 250V	0.166								Pending
13150200440	200 mA	250 V	600	500A 250V	0.26								Pending
13150250440	250 mA	250 V	550	500A 250V	0.44								Pending
13150315440	315 mA	250 V	350	500A 250V	0.7								Pending
13150400440	400 mA	250 V	300	500A 250V	1.28								Pending
13150500440	500 mA	250 V	250	500A 250V	2								Pending
13150630440	630 mA	250 V	200	500A 250V	3.1								Pending
13150800440	800 mA	250 V	180	500A 250V	4.1								Pending
13151100440	1 A	250 V	150	500A 250V	8								Pending
13151125440	1.25 A	250 V	135	500A 250V	11.5								Pending
13151160440	1.6 A	250 V	125	500A 250V	17.2								Pending
13151200440	2 A	250 V	110	500A 250V	21								Pending
13151250440	2.5 A	250 V	100	500A 250V	32								Pending
13151315440	3.15 A	250 V	100	500A 250V	48								Pending
13151400440	4 A	250 V	100	500A 250V	95								Pending
13151500440	5 A	250 V	100	500A 250V	140								Pending
13151630440	6.3 A	250 V	100	500A 250V	240								Pending
13151700440	7 A	250 V	80	500A 250V	300								Pending
13151800440	8 A	250 V	80	500A 250V	380								Pending
13152100440	10 A	250 V	80	500A 250V	590								Pending
13152120440	12 A	250 V	80	500A 250V	850								Pending
13152150440	15 A	250 V	80	500A 250V	1300								Pending
13152160440	16 A	250 V	80	500A 250V	1500								Pending
13152200440	20 A	250 V	80	500A 250V	2400								Pending
13152250440	25 A	250 V	70	500A 250V	3000								Pending
13152300440	30 A	250 V	70	500A 250V	5000								Pending