

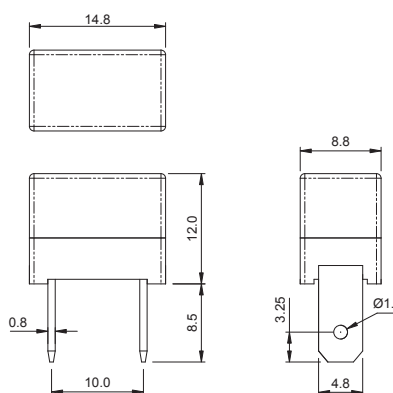


Part No. **1313** series

Vertical Type



- Slow Blow (T), Surge Withstand
- Size: 15(L) x 9(W) x 12 (H) mm
- Voltage: 250V and Less
- Material: * Insulating Body: Fiberglass Reinforced Plastic, UL94V0 Flame Resistant
- * Element: Silver Alloy
- * Terminals: 3/16" (4.8 mm) Copper With Tin Plated, 0.8mm Thickness
- Option: Gold or Silver Plated Available Upon Request
- Direct Connect To Female Terminal, Terminal Version For Easy Replacement
- Shock Safe Casing
- High Vibration Resistant
- Application: TV, VCR, Monitor, Adapter, Communication Equipments, Protection and Safety For All Other Small Equipment
- Replace Conventional Cartridge Fuses
- Ampere Rating: 50mA~30A
- Standard: IEC 60127-4(UMF)
- Low Internal Resistant
- Designed And Patented By **GLORYTECH**



Scale: mm

Specifications

Opening Time / Pre-arcing Time:

In	1.0 In	1.25 In	2.0 In	10 In
50mA-30A	Carry	Min. 60 min.	Max. 120 s	Min. 10 ms Max. 100 ms

Ordering Information:

Part Number	Ampere (A)	Voltage (V)	Voltage Drop Max. (mV)	Breaking Capacity (AC)	I ² t Min. (A ² s)	MS	VDE	D.E.	UL	PS
13130050440	50 mA	250 V	1500	500A 250V	0.016					Pending
13130063440	63 mA	250 V	1300	500A 250V	0.026					Pending
13130080440	80 mA	250 V	1100	500A 250V	0.042					Pending
13130100440	100 mA	250 V	1000	500A 250V	0.065					Pending
13130125440	125 mA	250 V	900	500A 250V	0.102					Pending
13130160440	160 mA	250 V	800	500A 250V	0.166					Pending
13130200440	200 mA	250 V	600	500A 250V	0.26					Pending
13130250440	250 mA	250 V	550	500A 250V	0.44					Pending
13130315440	315 mA	250 V	350	500A 250V	0.7					Pending
13130400440	400 mA	250 V	300	500A 250V	1.28					Pending
13130500440	500 mA	250 V	250	500A 250V	2					Pending
13130630440	630 mA	250 V	200	500A 250V	3.1					Pending
13130800440	800 mA	250 V	180	500A 250V	4.1					Pending
13131100440	1 A	250 V	150	500A 250V	8					Pending
13131125440	1.25 A	250 V	135	500A 250V	11.5					Pending
13131160440	1.6 A	250 V	125	500A 250V	17.2					Pending
13131200440	2 A	250 V	110	500A 250V	21					Pending
13131250440	2.5 A	250 V	100	500A 250V	32					Pending
13131315440	3.15 A	250 V	100	500A 250V	48					Pending
13131400440	4 A	250 V	100	500A 250V	95					Pending
13131500440	5 A	250 V	100	500A 250V	140					Pending
13131630440	6.3 A	250 V	100	500A 250V	240					Pending
13131700440	7 A	250 V	80	500A 250V	300					Pending
13131800440	8 A	250 V	80	500A 250V	380					Pending
13132100440	10 A	250 V	80	500A 250V	590					Pending
13132120440	12 A	250 V	80	500A 250V	850					Pending
13132150440	15 A	250 V	80	500A 250V	1300					Pending
13132160440	16 A	250 V	80	500A 250V	1500					Pending
13132200440	20 A	250 V	80	500A 250V	2400					Pending
13132250440	25 A	250 V	70	500A 250V	3000					Pending
13132300440	30 A	250 V	70	500A 250V	5000					Pending