

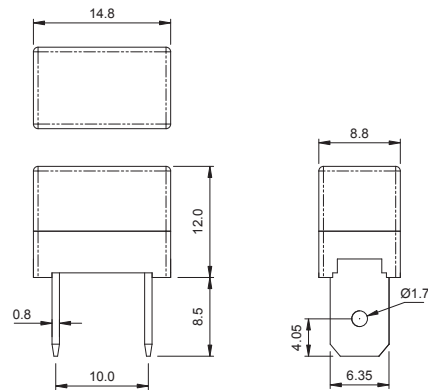
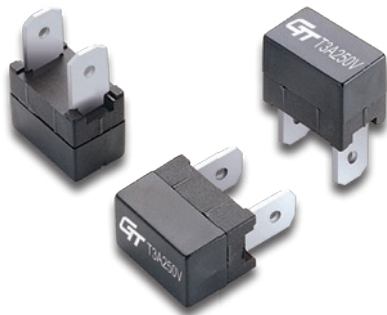


Part No. 1312 series

Vertical Type



- Slow Blow (T), Surge Withstand
- Size: 15(L) x 9(W) x 12(H) mm
- Voltage: 250V and Less
- Material: * Insulating Body: Fiberglass Reinforced Plastic, UL94V0 Flame Resistant
- * Element: Silver Alloy
- * Terminals: 0.25" (6.35mm) Copper With Tin Plated, 0.8mm Thickness
- Option: Gold or Silver Plated Available Upon Request
- Direct Connect To Female Terminal, Terminal Version For Easy Replacement
- Shock Safe Casing
- High Vibration Resistant
- Application: TV, VCR, Monitor, Adapter, Communication Equipments, Protection and Safety For All Other Small Equipment
- Replace Conventional Cartridge Fuses
- Ampere Rating: 50mA~30A
- Standard: UL 248-14
- Low Internal Resistant
- Designed And Patented By **GLORYTECH**



Scale: mm

Specifications

Opening Time / Pre-arcing Time:

In	1.0 In	1.35 In	2.0 In	
50mA-30A	Carry	Max. 1 Hr	Min. 3 sec	Max. 120 sec

Ordering Information:

Part Number	Ampere (A)	Voltage (V)	Voltage Drop Max. (mV)	Breaking Capacity (AC)	I ² t Min. (A ² s)	CAJUS®
13120050440	50 mA	250 V	4000	500A 250V	0.011	Pending
13120060440	60 mA	250 V	3800	500A 250V	0.016	Pending
13120063440	63 mA	250 V	3600	200A 250V	0.018	Pending
13120080440	80 mA	250 V	2400	500A 250V	0.029	Pending
13120100440	100 mA	250 V	1200	500A 250V	0.05	Pending
13120125440	125 mA	250 V	1100	500A 250V	0.078	Pending
13120150440	150 mA	250 V	1050	500A 250V	0.12	Pending
13120160440	160 mA	250 V	900	500A 250V	0.155	Pending
13120200440	200 mA	250 V	700	500A 250V	0.24	Pending
13120250440	250 mA	250 V	600	500A 250V	0.29	Pending
13120300440	300 mA	250 V	550	500A 250V	0.5	Pending
13120315440	315 mA	250 V	500	500A 250V	0.6	Pending
13120350440	350 mA	250 V	455	500A 250V	0.74	Pending
13120400440	400 mA	250 V	400	500A 250V	1	Pending
13120500440	500 mA	250 V	345	500A 250V	1.6	Pending
13120600440	600 mA	250 V	285	500A 250V	2.16	Pending
13120630440	630 mA	250 V	270	500A 250V	2.4	Pending
13120700440	700 mA	250 V	260	500A 250V	2.95	Pending
13120750440	750 mA	250 V	255	500A 250V	3.37	Pending
13120800440	800 mA	250 V	245	500A 250V	4.8	Pending
13121100440	1 A	250 V	210	500A 250V	6.2	Pending
13121125440	1.25 A	250 V	190	500A 250V	11	Pending
13121150440	1.5 A	250 V	180	500A 250V	18	Pending
13121160440	1.6 A	250 V	170	500A 250V	21	Pending
13121200440	2 A	250 V	160	500A 250V	34	Pending
13121250440	2.5 A	250 V	150	500A 250V	55	Pending
13121300440	3 A	250 V	140	500A 250V	85	Pending
13121315440	3.15 A	250 V	135	500A 250V	95	Pending
13121350440	3.5 A	250 V	130	500A 250V	120	Pending
13121400440	4 A	250 V	125	500A 250V	192	Pending
13121500440	5 A	250 V	120	500A 250V	300	Pending
13121600440	6 A	250 V	115	500A 250V	440	Pending
13121630440	6.3 A	250 V	115	500A 250V	520	Pending
13121700440	7 A	250 V	105	500A 250V	640	Pending
13121750440	7.5 A	250 V	105	500A 250V	730	Pending
13121800440	8 A	250 V	100	500A 250V	960	Pending
13122100440	10 A	250 V	90	500A 250V	1500	Pending
13122120440	12 A	250 V	90	500A 250V	1700	Pending
13122150440	15 A	250 V	60	500A 250V	2700	Pending
13122160440	16 A	250 V	60	500A 250V	3100	Pending
13122200440	20 A	250 V	60	500A 250V	4800	Pending
13122250440	25 A	250 V	50	500A 250V	7500	Pending
13122300440	30 A	250 V	50	500A 250V	10800	Pending