

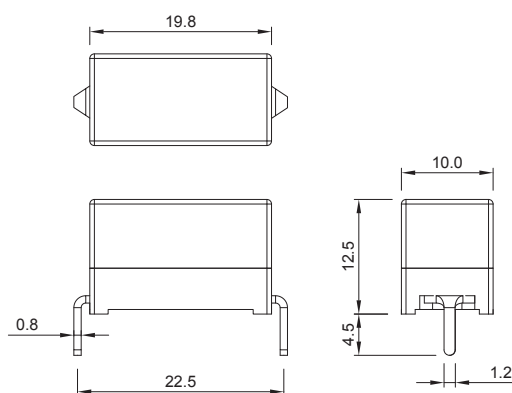


Part No. **1309** series

P.C. Board Type



- Slow Blow (T), Surge Withstand
- Size: 20(L) x 10(W) x 12.5(H)mm
- Voltage: 250V and Less
- Material: * Insulating Body: Fiberglass Reinforced Plastic, UL94V0 Flame Resistant
* Element: Silver Alloy
* Pin: Copper With Tin Plated, 0.8mm Thickness
Option: Gold or Silver Plated Available Upon Request
- Ampere Rating: 50mA~30A
- Standard: IEC60127-4(UMF)
- Direct Soldering To P.C. Board
- Shock Safe Casing
- High Vibration Resistant
- Application: TV, VCR, Monitor, Adapter, Communication Equipments, Protection and Safety For All Other Small Equipment
- Replace Conventional Cartridge Fuses
- Low Internal Resistant
- Designed And Patented By **GLORYTECH**



Specifications

Opening Time / Pre-arcing Time:

| In | 1.0 In | 1.25 In | 2.0 In | 10 In | |
|----------|--------|-----------------|---------------|---------------|----------------|
| 50mA-30A | Carry | Min. 60 min. | Max. 120 s | Min. 10 ms | Max. 100 ms |

Ordering Information:

| Part Number | Ampere (A) | Voltage (V) | Voltage Drop Max. (mV) | Breaking Capacity (AC) | I ² t Min. (A ² s) | MS | VDE | D.E. | CS | UL | PS |
|-------------|------------|-------------|------------------------|------------------------|--|----|-----|------|----|----|---------|
| 13090050440 | 50 mA | 250 V | 1500 | 500A 250V | 0.016 | | | | | | Pending |
| 13090063440 | 63 mA | 250 V | 1300 | 500A 250V | 0.026 | | | | | | Pending |
| 13090080440 | 80 mA | 250 V | 1100 | 500A 250V | 0.042 | | | | | | Pending |
| 13090100440 | 100 mA | 250 V | 1000 | 500A 250V | 0.065 | | | | | | Pending |
| 13090125440 | 125 mA | 250 V | 900 | 500A 250V | 0.102 | | | | | | Pending |
| 13090160440 | 160 mA | 250 V | 800 | 500A 250V | 0.166 | | | | | | Pending |
| 13090200440 | 200 mA | 250 V | 600 | 500A 250V | 0.26 | | | | | | Pending |
| 13090250440 | 250 mA | 250 V | 550 | 500A 250V | 0.44 | | | | | | Pending |
| 13090315440 | 315 mA | 250 V | 350 | 500A 250V | 0.7 | | | | | | Pending |
| 13090400440 | 400 mA | 250 V | 300 | 500A 250V | 1.28 | | | | | | Pending |
| 13090500440 | 500 mA | 250 V | 250 | 500A 250V | 2 | | | | | | Pending |
| 13090630440 | 630 mA | 250 V | 200 | 500A 250V | 3.1 | | | | | | Pending |
| 13090800440 | 800 mA | 250 V | 180 | 500A 250V | 8 | | | | | | Pending |
| 13091100440 | 1 A | 250 V | 150 | 500A 250V | 11.5 | | | | | | Pending |
| 13091125440 | 1.25 A | 250 V | 135 | 500A 250V | 17.2 | | | | | | Pending |
| 13091160440 | 1.6 A | 250 V | 125 | 500A 250V | 21 | | | | | | Pending |
| 13091200440 | 2 A | 250 V | 110 | 500A 250V | 32 | | | | | | Pending |
| 13091250440 | 2.5 A | 250 V | 100 | 500A 250V | 48 | | | | | | Pending |
| 13091315440 | 3.15 A | 250 V | 100 | 500A 250V | 95 | | | | | | Pending |
| 13091400440 | 4 A | 250 V | 100 | 500A 250V | 140 | | | | | | Pending |
| 13091500440 | 5 A | 250 V | 100 | 500A 250V | 240 | | | | | | Pending |
| 13091630440 | 6.3 A | 250 V | 100 | 500A 250V | 300 | | | | | | Pending |
| 13091700440 | 7 A | 250 V | 80 | 500A 250V | 380 | | | | | | Pending |
| 13091800440 | 8 A | 250 V | 80 | 500A 250V | 560 | | | | | | Pending |
| 13092100440 | 10 A | 250 V | 80 | 500A 250V | 850 | | | | | | Pending |
| 13092120440 | 12 A | 250 V | 80 | 500A 250V | 850 | | | | | | Pending |
| 13092150440 | 15 A | 250 V | 80 | 500A 250V | 1300 | | | | | | Pending |
| 13092160440 | 16 A | 250 V | 80 | 500A 250V | 1500 | | | | | | Pending |
| 13092200440 | 20 A | 250 V | 80 | 500A 250V | 2400 | | | | | | Pending |
| 13092250440 | 25 A | 250 V | 70 | 500A 250V | 3000 | | | | | | Pending |
| 13092300440 | 30 A | 250 V | 70 | 500A 250V | 5000 | | | | | | Pending |