

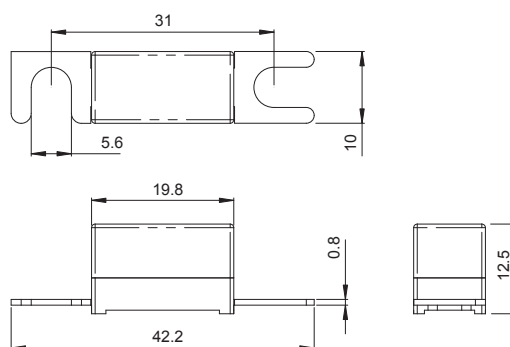
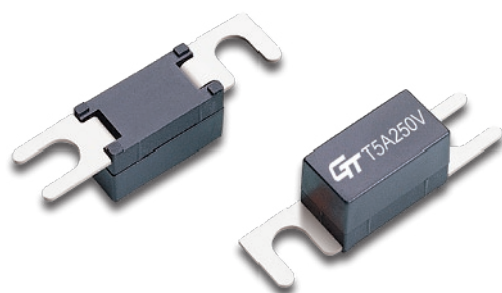


Part No. **1308** series

Horizontal Spade Type



- Slow Blow (T), Surge Withstand
- Size: 20(L) x 10(W) x 12.5(H)mm
- Voltage: 250V and Less
- Material: * Insulating Body: Fiberglass Reinforced Plastic, UL94V0 Flame Resistant
- * Element: Silver Alloy
- * Terminals: Copper With Tin Plated, 0.8mm Thickness
- Option: Gold or Silver Plated Available Upon Request
- Spade Terminal For Easy Entry
- Shock Safe Casing
- Designed And Patented By **GLORYTECH**
- Application: TV, VCR, Monitor, Adapter, Communication Equipments, Protection and Safety For All Other Small Equipment
- Replace Conventional Cartridge Fuses
- Ampere Rating: 800mA~150A
- Standard: UL 248-14
- High Vibration Resistant
- Low Internal Resistant



Scale: mm

Specifications

Opening Time / Pre-arcing Time:

| In | 1.0 In | 1.35 In | 2.0 In | |
|------------|--------|--------------|---------------|-----------------|
| 800mA-150A | Carry | Max. 1 Hr | Min. 3 sec | Max. 120 sec |

Ordering Information:

| Part Number | Ampere (A) | Voltage (V) | Voltage Drop Max. (mV) | Breaking Capacity (AC) | I ² t Min. (A ² s) | UL |
|-------------|------------|-------------|------------------------|------------------------|--|---------|
| 13080800440 | 800 mA | 250 V | 400 | 500A 250V | 7.2 | Pending |
| 13081100440 | 1 A | 250 V | 350 | 500A 250V | 10.5 | Pending |
| 13081125440 | 1.25 A | 250 V | 300 | 500A 250V | 17.8 | Pending |
| 13081150440 | 1.5 A | 250 V | 280 | 500A 250V | 30.5 | Pending |
| 13081160440 | 1.6 A | 250 V | 270 | 500A 250V | 41 | Pending |
| 13081200440 | 2 A | 250 V | 235 | 500A 250V | 64 | Pending |
| 13081250440 | 2.5 A | 250 V | 215 | 500A 250V | 110 | Pending |
| 13081300440 | 3 A | 250 V | 200 | 500A 250V | 150 | Pending |
| 13081315440 | 3.15 A | 250 V | 190 | 500A 250V | 160 | Pending |
| 13081350440 | 3.5 A | 250 V | 180 | 500A 250V | 190 | Pending |
| 13081400440 | 4 A | 250 V | 160 | 500A 250V | 250 | Pending |
| 13081500440 | 5 A | 250 V | 140 | 500A 250V | 350 | Pending |
| 13081600440 | 6 A | 250 V | 130 | 500A 250V | 490 | Pending |
| 13081630440 | 6.3 A | 250 V | 130 | 500A 250V | 550 | Pending |
| 13081700440 | 7 A | 250 V | 120 | 500A 250V | 700 | Pending |
| 13081750440 | 7.5 A | 250 V | 110 | 500A 250V | 800 | Pending |
| 13081800440 | 8 A | 250 V | 105 | 500A 250V | 1050 | Pending |
| 13082100440 | 10 A | 250 V | 90 | 500A 250V | 1600 | Pending |
| 13082120440 | 12 A | 250 V | 90 | 500A 250V | 2000 | Pending |
| 13082150440 | 15 A | 250 V | 80 | 500A 250V | 2900 | Pending |
| 13082160440 | 16 A | 250 V | 70 | 500A 250V | 5100 | Pending |
| 13082200440 | 20 A | 250 V | 60 | 500A 250V | 8000 | Pending |
| 13082250440 | 25 A | 250 V | 50 | 500A 250V | 12250 | Pending |
| 13082300440 | 30 A | 250 V | 50 | 500A 250V | 14000 | Pending |
| 13082350440 | 35 A | 250 V | 50 | 500A 250V | 17000 | Pending |
| 13082400440 | 40 A | 250 V | 50 | 500A 250V | 25000 | Pending |
| 13082450440 | 45 A | 250 V | 50 | 500A 250V | 32000 | Pending |
| 13082500440 | 50 A | 250 V | 50 | 500A 250V | 35000 | Pending |
| 13082600440 | 60 A | 250 V | 50 | 500A 250V | 64800 | Pending |
| 13082700440 | 70 A | 250 V | 50 | 500A 250V | 78200 | Pending |
| 13082800440 | 80 A | 250 V | 50 | 500A 250V | 84500 | Pending |
| 13083100440 | 100 A | 250 V | 50 | 500A 250V | 100000 | Pending |
| 13083120440 | 120 A | 250 V | 50 | 500A 250V | 178000 | Pending |
| 13083125440 | 125 A | 250 V | 50 | 500A 250V | 218750 | Pending |
| 13083130440 | 130 A | 250 V | 50 | 500A 250V | 253500 | Pending |
| 13083150440 | 150 A | 250 V | 50 | 500A 250V | 360000 | Pending |