

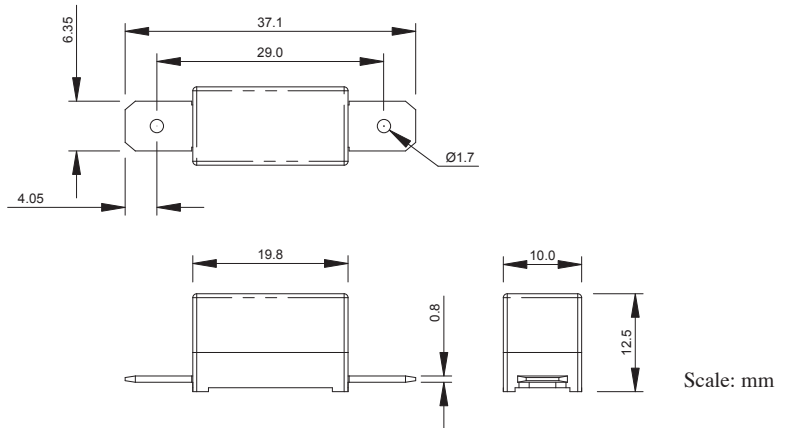


Part No. 1303 series

Horizontal Type



- Slow Blow (T), Surge Withstand
- Size: 20(L) x 10(W) x 12.5 (H)mm
- Voltage: 250V and Less
- Material: * Insulating Body: Fiberglass Reinforced Plastic, UL94V0 Flame Resistant
- * Element: Silver Alloy
- * Terminals: 0.25" (6.35mm) Copper With Tin Plated, 0.8mm Thickness
- Option: Gold or Silver Plated Available Upon Request
- Direct Connect To Female Terminal, Terminal Version For Easy Replacement
- Shock Safe Casing
- High Vibration Resistant
- Application: TV, VCR, Monitor, Adapter, Communication Equipments, Protection and Safety For All Other Small Equipment
- Replace Conventional Cartridge Fuses
- Ampere Rating: 800mA~30A
- Standard: IEC 60127-4(UMF)
- Low Internal Resistant
- Designed And Patented By **GLORYTECH**



Specifications

Opening Time / Pre-arcing Time:

In	1.0 In	1.25 In	2.0 In	10 In	
800mA-30A	Carry	Min. 60 min.	Max. 120 s	Min. 10 ms	Max. 100 ms

Ordering Information:

Part Number	Ampere (A)	Voltage (V)	Voltage Drop Max. (mV)	Breaking Capacity (AC)	I ² t Min. (A ² s)	MS	VDE	D'E	UL	PS
13030800440	800 mA	250 V	130	500A 250V	11					Pending
13031100440	1 A	250 V	120	500A 250V	19.2					Pending
13031125440	1.25 A	250 V	110	500A 250V	27.2					Pending
13031160440	1.6 A	250 V	100	500A 250V	44					Pending
13031200440	2 A	250 V	90	500A 250V	92.5					Pending
13031250440	2.5 A	250 V	90	500A 250V	138					Pending
13031315440	3.15 A	250 V	80	500A 250V	206					Pending
13031400440	4 A	250 V	70	500A 250V	220					Pending
13031500440	5 A	250 V	60	500A 250V	314					Pending
13031630440	6.3 A	250 V	50	500A 250V	500					Pending
13031700440	7 A	250 V	50	500A 250V	600					Pending
13031800440	8 A	250 V	50	500A 250V	750					Pending
13032100440	10 A	250 V	50	500A 250V	1000					Pending
13032120440	12 A	250 V	50	500A 250V	1200					Pending
13032150440	15 A	250 V	50	500A 250V	1440					Pending
13032200440	20 A	250 V	50	500A 250V	2800					Pending
13032250440	25 A	250 V	50	500A 250V	3750					Pending
13032300440	30 A	250 V	50	500A 250V	5500					Pending